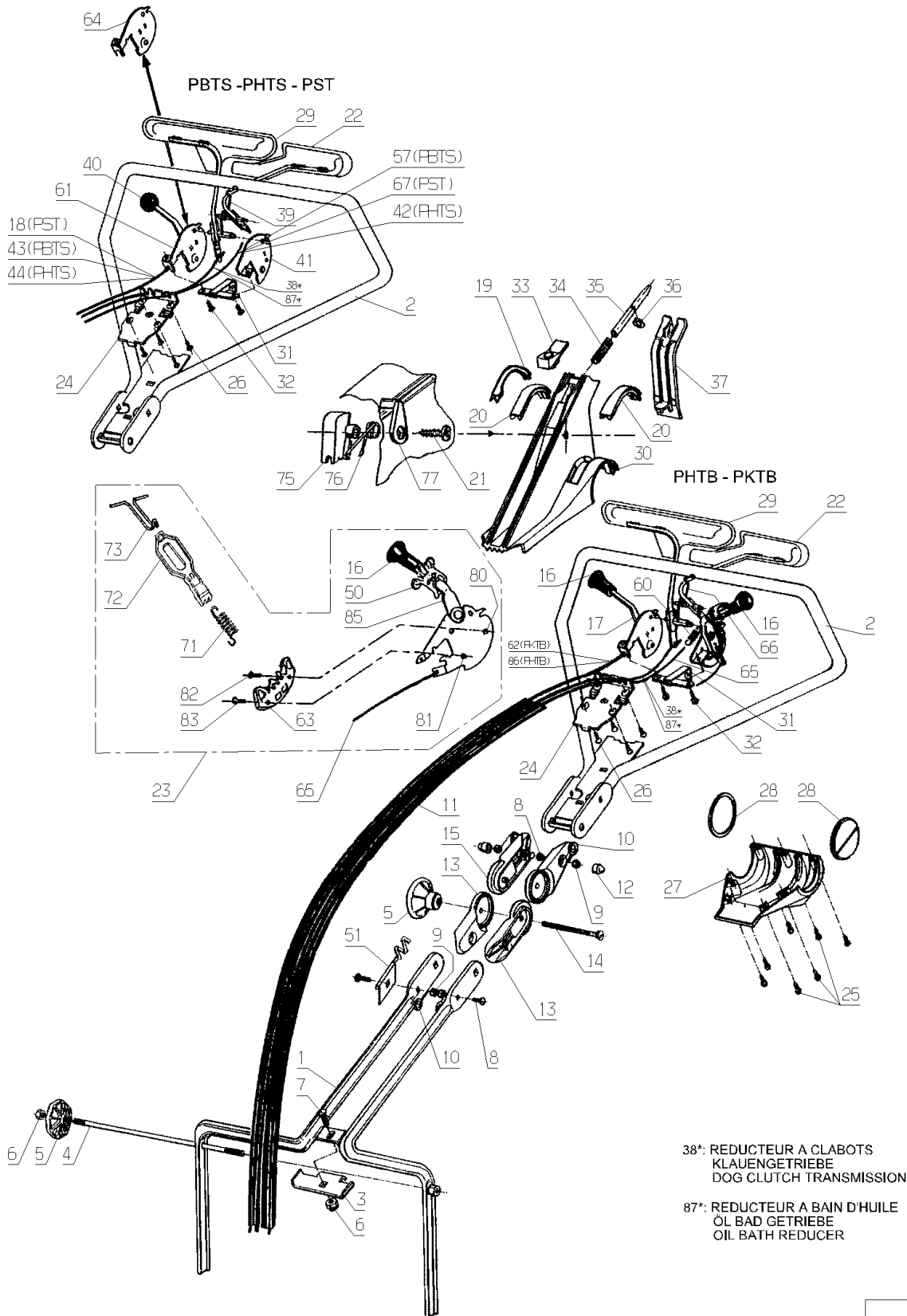


Numero	Codice	Nome	Quantità
1	23301	23301	1,000
2	23306	23306	1,000
3	24014	24014	1,000
4	23014	23014	1,000
5	24610	24610	1,000
6	71074	71074	1,000
7	2217	2217	1,000
8	71060	71060	1,000
9	71201		1,000
10	2235	2235	1,000
11	23653	23653	1,000
12	24628	24628	1,000
13	24614	24614	1,000
14	71028	71028	1,000
15	24629	24629	1,000
16	21177	21177	1,000
17	23361	23361	1,000
18	23675	23675	1,000
19	24683	24683	1,000
20	24682	24682	1,000
21	71082	71082	1,000
22	24433	24433	1,000
23	24395	24395	1,000
24	24050	24050	1,000
25	71051	71051	1,000
26	71050	71050	1,000
27	23651	23651	1,000
28	23666	23666	1,000
29	24434	24434	1,000
30	23650	23650	1,000
31	24350	24350	1,000
33	24690	24690	1,000
34	24609	24609	1,000
35	24059	24059	1,000
36	24684	24684	1,000
37	23652	23652	1,000
38	23660	23660	1,000
39	24778	24778	1,000
41	24128	24128	1,000
42	23703	23703	1,000
43	23672	23672	1,000

Numero	Codice	Nome	Quantità
44	23685	23685	1,000
50	24700	24700	1,000
51	24670	24670	1,000
60	24838	24838	1,000
61	24354	24354	1,000
62	24672	24672	1,000
63	24701	24701	1,000
64	23053	23053	1,000
65	23723	23723	1,000
66	24758	24758	1,000
67	23700	23700	1,000
71	24703	24703	1,000
72	24644	24644	1,000
73	24702	24702	1,000
75	24845	24845	1,000
76	24843	24843	1,000
77	24844	24844	1,000
80	71237	71237	1,000
81	21525	21525	1,000
83	21524	21524	1,000
87	23681	23681	1,000

PBTS-PHTS
PHTB-PKTB-PST

195.01



09/2006

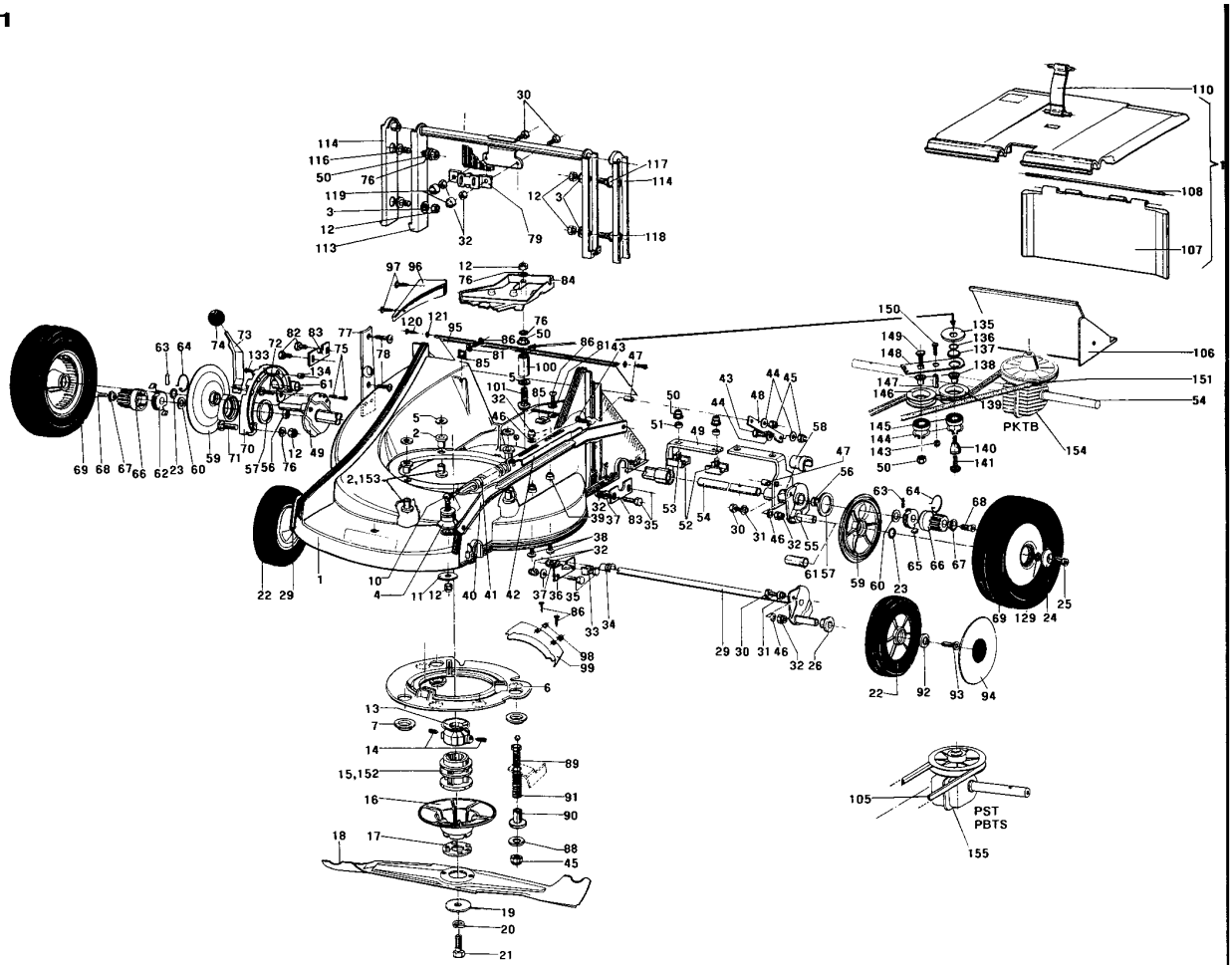
Numero	Codice	Nome	Quantità
1	23810	23810	1,000
2	23604	23604	1,000
3	7035	7035	1,000
4	23623	23623	1,000
5	22065	22065	1,000
6	24617	24617	1,000
7	24005	24005	1,000
10	20520	20520	1,000
11	20021	20021	1,000
12	71074	71074	1,000
13	23609	23609	1,000
14	5353	5353	1,000
15	24616	24616	1,000
16	24618	24618	1,000
17	23002	23002	1,000
18	PZ46E	PZ46E	1,000
19	7341	7341	1,000
20	71052	71052	1,000
21	7342	7342	1,000
22	23271	23271	1,000
23	9034	9034	1,000
24	24087	24087	1,000
25	71072	71072	1,000
26	20537	20537	1,000
29	23324	23324	1,000
30	71084	71084	1,000
31	23056	23056	1,000
32	71201		1,000
33	24634	24634	1,000
34	20539	20539	1,000
35	20507	20507	1,000
36	24024	24024	1,000
37	2235	2235	1,000
38	71080	71080	1,000
39	23033	23033	1,000
40	23024	23024	1,000
41	24632	24632	1,000
42	23028	23028	1,000
43	71025	71025	1,000
44	20564	20564	1,000
45	37561	37561	1,000

Numero	Codice	Nome	Quantità
46	71096	71096	1,000
47	23029	23029	1,000
48	23027	23027	1,000
49	23335	23335	1,000
50	71076	71076	1,000
51	24083	24083	1,000
52	24022	24022	1,000
53	71122	71122	1,000
54	23032	23032	1,000
55	24274	24274	1,000
56	9022	9022	1,000
57	24692	24692	1,000
58	24633	24633	1,000
59	43187	43187	1,000
60	71016	71016	1,000
61	5019	5019	1,000
62	5733	5733	1,000
63	21609	21609	1,000
64	5329	5329	1,000
65	5734	5734	1,000
66	5323	5323	1,000
67	24067	24067	1,000
68	71021	71021	1,000
69	23275	23275	1,000
70	23811	23811	1,000
71	71118	71118	1,000
72	71070	71070	1,000
73	24439	24439	1,000
74	21177	21177	1,000
75	20548	20548	1,000
76	7335		1,000
77	23605	23605	1,000
78	71048	71048	1,000
79	23041	23041	1,000
81	7094	7094	1,000
82	20693	20693	1,000
83	24038	24038	1,000
84	23812	23812	1,000
85	6178	6178	1,000
86	21437	21437	1,000
88	22029	22029	1,000

Numero	Codice	Nome	Quantità
89	71135	71135	1,000
90	23075	23075	1,000
91	24647	24647	1,000
92	24132	24132	1,000
93	71222	71222	1,000
94	24922	24922	1,000
95	23626	23626	1,000
96	24602	24602	1,000
97	71206	71206	1,000
98	21436	21436	1,000
99	23724	23724	1,000
100	23004	23004	1,000
101	22031	22031	1,000
105	23631	23631	1,000
106	23712	23712	1,000
107	23607	23607	1,000
108	23005	23005	1,000
110	23614	23614	1,000
113	23303	23303	1,000
114	23612	23612	1,000
116	9071	9071	1,000
117	5041	5041	1,000
118	5347	5347	1,000
119	24628	24628	1,000
120	6187	6187	1,000
133	71054	71054	1,000
134	23072	23072	1,000
135	24058	24058	1,000
136	24085	24085	1,000
137	24046	24046	1,000
138	24836	24836	1,000
139	23632	23632	1,000
140	24048	24048	1,000
144	21256	21256	1,000
146	24659	24659	1,000
147	24846	24846	1,000
148	24045	24045	1,000
151	23633	23633	1,000
152	23616	23616	1,000
153	23722	23722	1,000
154	23278	23278	1,000

Numero	Codice	Nome	Quantità
155	23279	23279	1,000

190.01



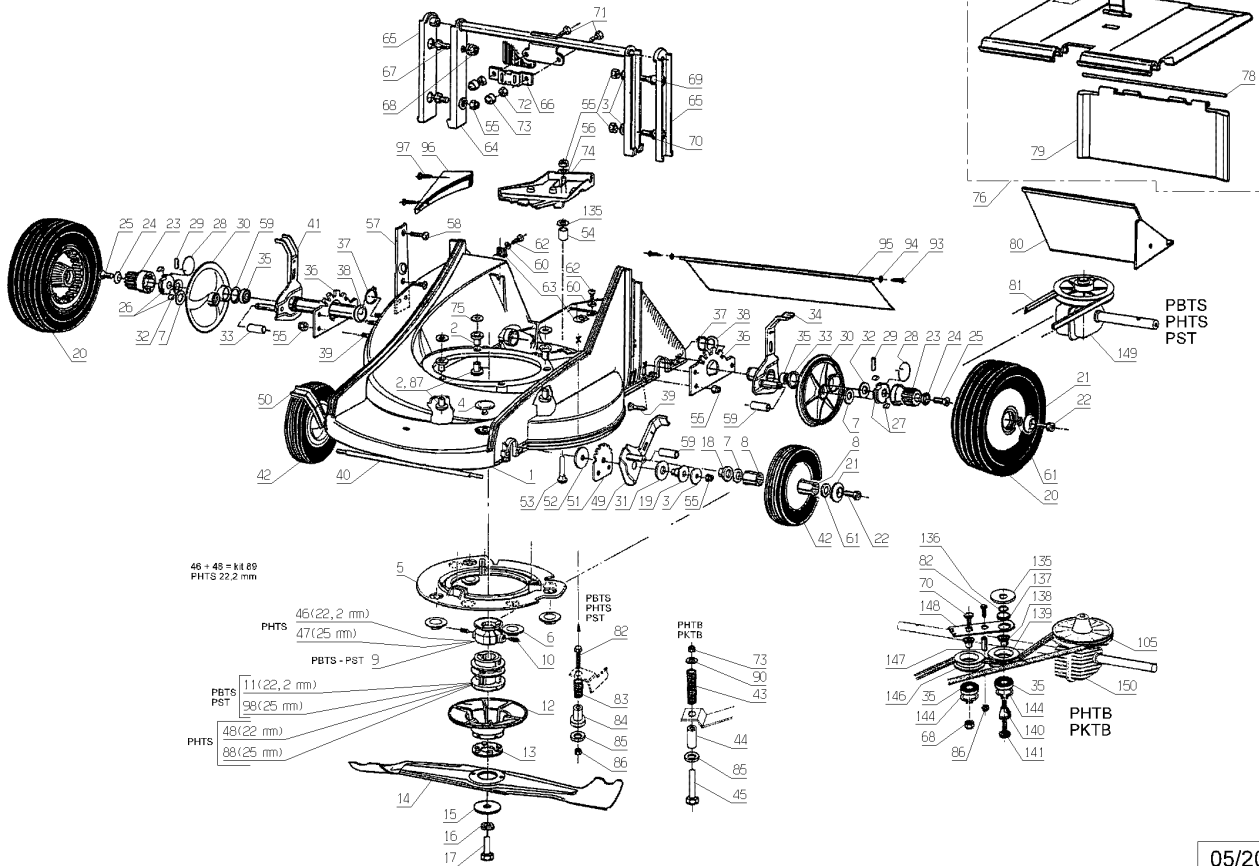
Numero	Codice	Nome	Quantità
1	23810	23810	1,000
2	23604	23604	1,000
3	7035	7035	1,000
4	23615	23615	1,000
5	24617	24617	1,000
6	24005	24005	1,000
7	9034	9034	1,000
8	5015	5015	1,000
9	23609	23609	1,000
10	5353	5353	1,000
11	24616	24616	1,000
12	24618	24618	1,000
13	23002	23002	1,000
14	PZ46E	PZ46E	1,000
15	7341	7341	1,000
16	71052	71052	1,000
17	7342	7342	1,000
18	7046	7046	1,000
19	7047	7047	1,000
20	23275	23275	1,000
21	24087	24087	1,000
22	71072	71072	1,000
23	5323	5323	1,000
24	24067	24067	1,000
25	71021	71021	1,000
26	5733	5733	1,000
27	5734	5734	1,000
28	5329	5329	1,000
29	21609	21609	1,000
30	43187	43187	1,000
31	7330	7330	1,000
32	71016	71016	1,000
33	24692	24692	1,000
34	23340	23340	1,000
35	9022	9022	1,000
36	23025	23025	1,000
37	5016	5016	1,000
38	5067	5067	1,000
39	71070	71070	1,000
40	23070	23070	1,000
41	23339	23339	1,000

Numero	Codice	Nome	Quantità
42	23271	23271	1,000
43	24669	24669	1,000
44	23062	23062	1,000
45	71092	71092	1,000
46	23730	23730	1,000
47	23729	23729	1,000
48	23636	23636	1,000
49	23418	23418	1,000
50	23419	23419	1,000
51	24020	24020	1,000
52	20021	20021	1,000
53	22031	22031	1,000
54	23004	23004	1,000
55	71074	71074	1,000
56	7335		1,000
57	23605	23605	1,000
58	71048	71048	1,000
59	5019	5019	1,000
60	7094	7094	1,000
61	21270	21270	1,000
62	21437	21437	1,000
63	6178	6178	1,000
64	23303	23303	1,000
65	23612	23612	1,000
66	23041	23041	1,000
67	9071	9071	1,000
68	71076	71076	1,000
69	5041	5041	1,000
70	5347	5347	1,000
71	71084	71084	1,000
72	71201		1,000
73	24628	24628	1,000
74	23812	23812	1,000
75	22065	22065	1,000
76	23414	23414	1,000
77	23614	23614	1,000
78	23005	23005	1,000
79	23607	23607	1,000
80	23712	23712	1,000
81	23631	23631	1,000
82	71135	71135	1,000

Numero	Codice	Nome	Quantità
83	24647	24647	1,000
84	23075	23075	1,000
85	22029	22029	1,000
86	37561	37561	1,000
87	23722	23722	1,000
88	23620	23620	1,000
89	23347	23347	1,000
90	2235	2235	1,000
93	6187	6187	1,000
94	20564	20564	1,000
95	23626	23626	1,000
96	24602	24602	1,000
97	71206	71206	1,000
98	23616	23616	1,000
105	23633	23633	1,000
135	24058	24058	1,000
136	24085	24085	1,000
137	24046	24046	1,000
138	24836	24836	1,000
139	23632	23632	1,000
140	24048	24048	1,000
144	21256	21256	1,000
146	24659	24659	1,000
147	24846	24846	1,000
148	24045	24045	1,000
149	23279	23279	1,000
150	23278	23278	1,000

PBTS-PHTS
PHTB-PKTB-PST

191.01

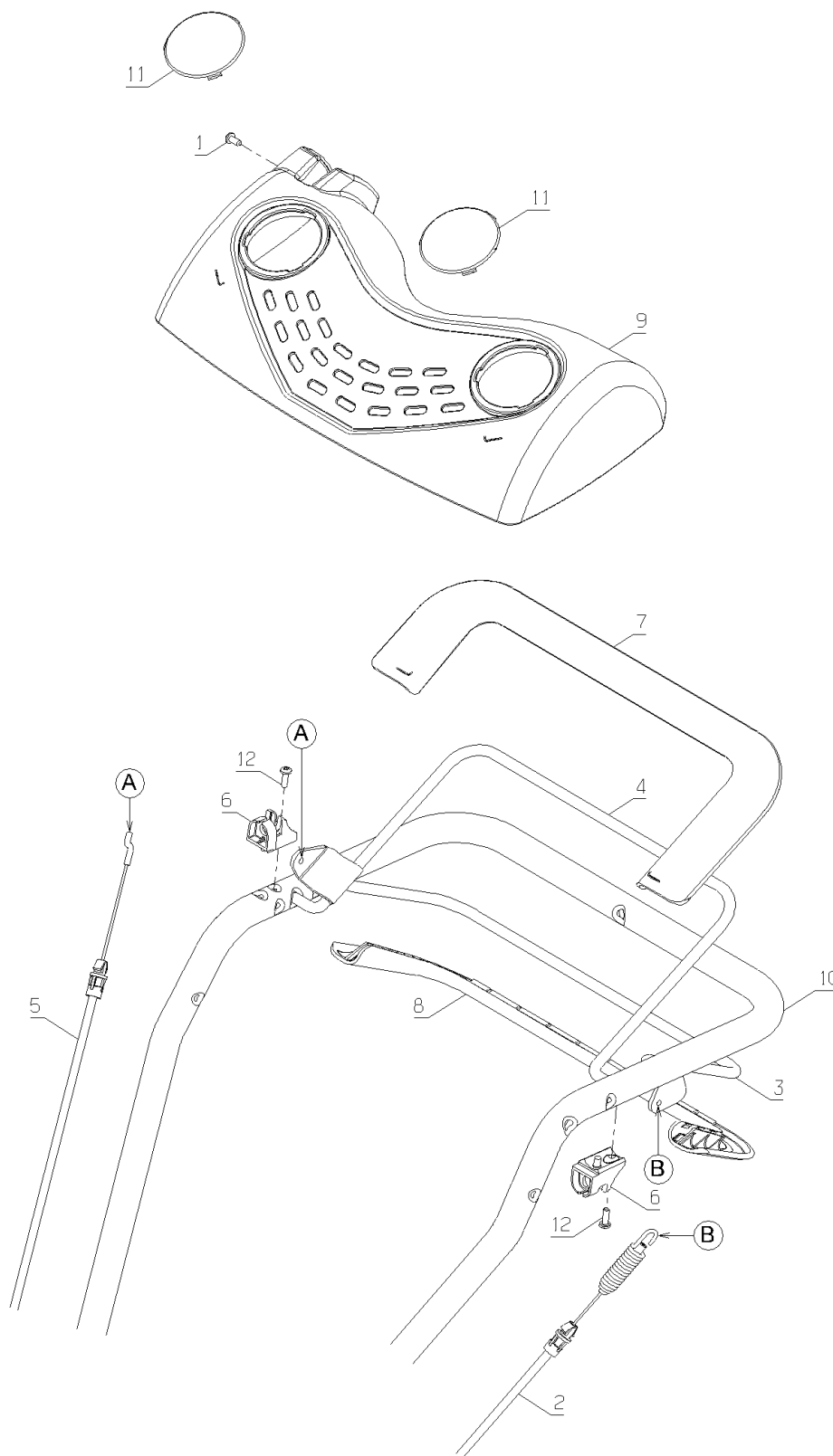


05/2006

Numero	Codice	Nome	Quantità
1	21585	21585	1,000
2	32351	32351	1,000
3	36903	36903	1,000
4	36904	36904	1,000
5	37057	37057	1,000
6	37173	37173	1,000
7	37343	37343	1,000
8	37344	37344	1,000
9	37611	37611	1,000
10	37347	37347	1,000
11	43089	43089	1,000
12	71279	71279	1,000

PBTS

PL01463

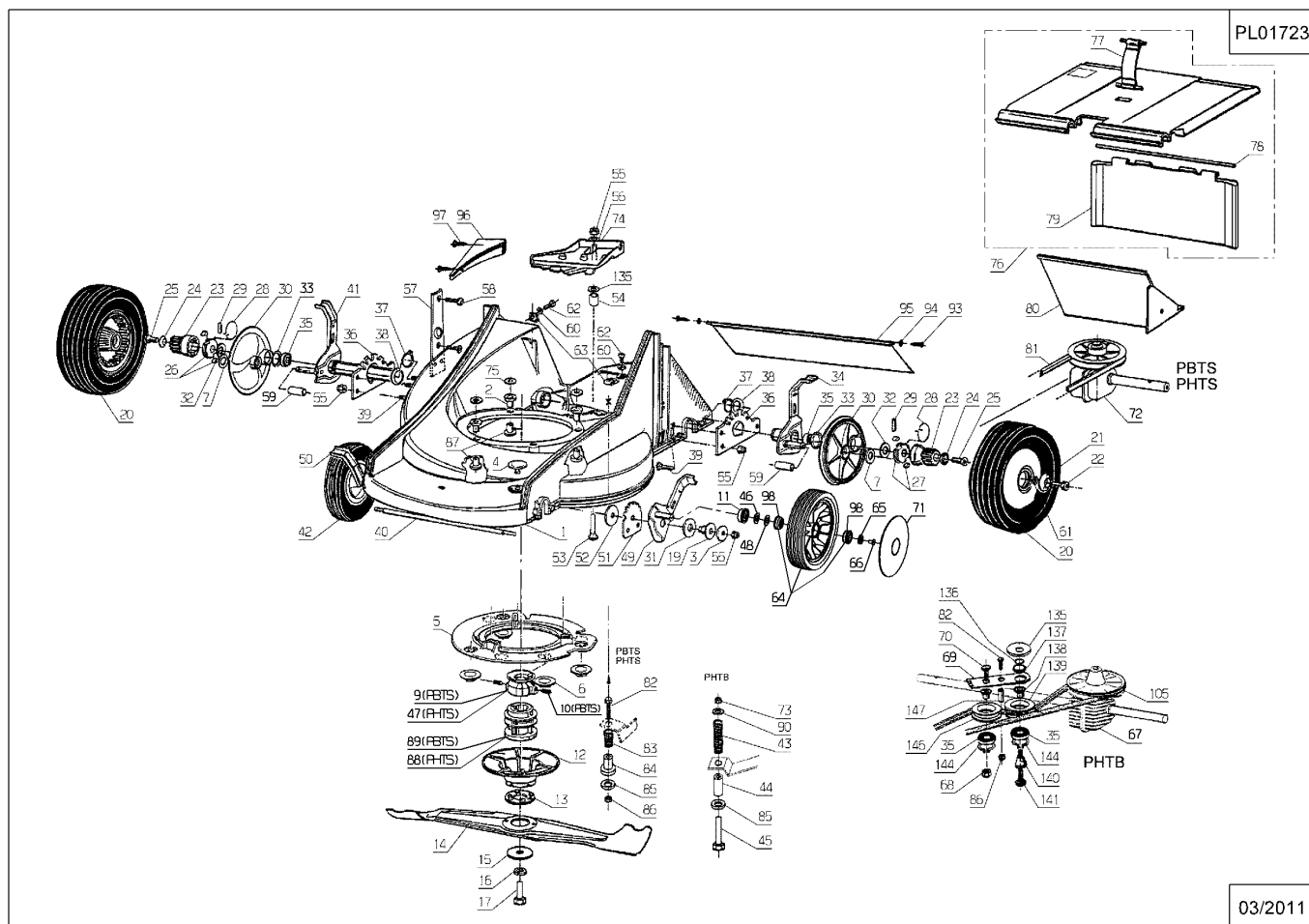


01/2009

Numero	Codice	Nome	Quantità
1	23810	23810	1,000
2	23604	23604	1,000
3	7035	7035	1,000
4	23615	23615	1,000
5	24617	24617	1,000
6	24005	24005	1,000
7	9034	9034	1,000
9	23609	23609	1,000
10	5353	5353	1,000
11	20537	20537	1,000
12	24618	24618	1,000
13	23002	23002	1,000
14	PZ46E	PZ46E	1,000
15	7341	7341	1,000
16	71052	71052	1,000
17	7342	7342	1,000
19	7047	7047	1,000
20	23275	23275	1,000
21	24087	24087	1,000
22	71072	71072	1,000
23	5323	5323	1,000
24	24067	24067	1,000
25	71021	71021	1,000
26	5733	5733	1,000
27	5734	5734	1,000
28	5329	5329	1,000
29	21609	21609	1,000
30	43187	43187	1,000
31	7330	7330	1,000
32	71016	71016	1,000
33	24692	24692	1,000
34	23340	23340	1,000
35	9022	9022	1,000
36	23025	23025	1,000
37	5016	5016	1,000
38	5067	5067	1,000
39	71070	71070	1,000
40	23070	23070	1,000
41	23339	23339	1,000
43	24669	24669	1,000
44	23062	23062	1,000

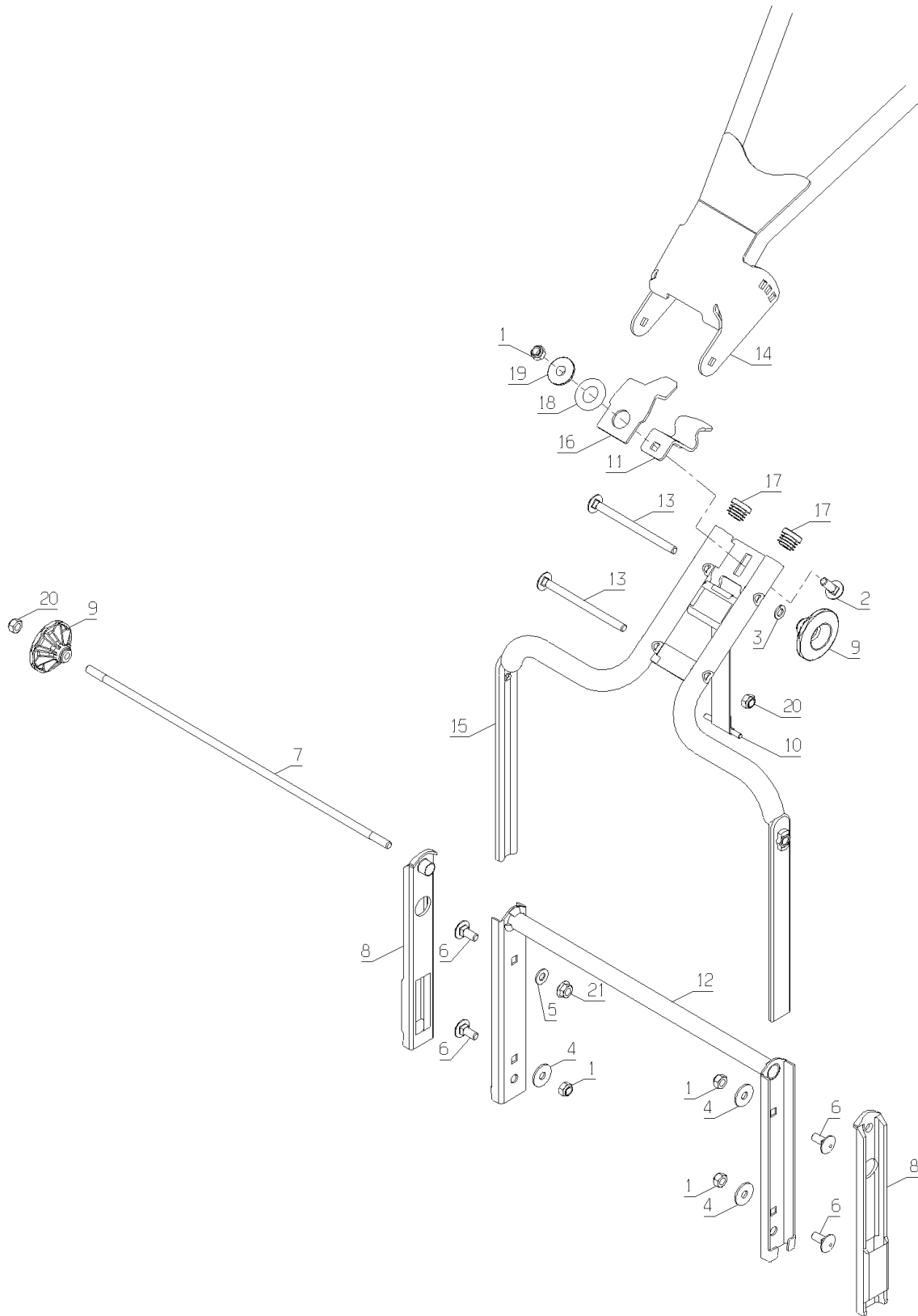
Numero	Codice	Nome	Quantità
45	71092	71092	1,000
46	20536	20536	1,000
47	23729	23729	1,000
48	6011	6011	1,000
49	23422	23422	1,000
50	23423	23423	1,000
51	24020	24020	1,000
52	20021	20021	1,000
53	22031	22031	1,000
54	23004	23004	1,000
55	71074	71074	1,000
56	7335		1,000
57	23605	23605	1,000
58	71048	71048	1,000
59	5019	5019	1,000
60	7094	7094	1,000
61	21270	21270	1,000
62	21437	21437	1,000
63	6178	6178	1,000
64	24810	24810	1,000
65	24132	24132	1,000
66	71222	71222	1,000
67	23278	23278	1,000
68	71076	71076	1,000
69	24045	24045	1,000
70	5347	5347	1,000
71	24922	24922	1,000
72	23279	23279	1,000
73	24628	24628	1,000
74	23812	23812	1,000
75	22065	22065	1,000
76	23414	23414	1,000
77	23614	23614	1,000
78	23005	23005	1,000
79	23607	23607	1,000
80	23712	23712	1,000
81	23631	23631	1,000
82	71135	71135	1,000
83	24647	24647	1,000
84	23075	23075	1,000
85	22029	22029	1,000

Numero	Codice	Nome	Quantità
86	37561	37561	1,000
87	23722	23722	1,000
88	23620	23620	1,000
89	36467	36467	1,000
90	2235	2235	1,000
93	6187	6187	1,000
94	20564	20564	1,000
95	23626	23626	1,000
96	24602	24602	1,000
97	71206	71206	1,000
98	20533	20533	1,000
105	23633	23633	1,000
135	24058	24058	1,000
136	24085	24085	1,000
137	24046	24046	1,000
138	24836	24836	1,000
139	23632	23632	1,000
140	24048	24048	1,000
144	21256	21256	1,000
146	24659	24659	1,000
147	24846	24846	1,000



Numero	Codice	Nome	Quantità
1	71205		1,000
2	5347	5347	1,000
3	6416	6416	1,000
4	7035	7035	1,000
5	7335		1,000
6	9071	9071	1,000
7	23014	23014	1,000
8	23612	23612	1,000
9	24610	24610	1,000
10	35567	35567	1,000
11	36432	36432	1,000
12	36084	36084	1,000
13	37089	37089	1,000
14	37347	37347	1,000
15	37348	37348	1,000
16	37530	37530	1,000
17	41437	41437	1,000
18	42088	42088	1,000
19	42092	42092	1,000
20	71074	71074	1,000
21	71076	71076	1,000

PL01468



01/2009

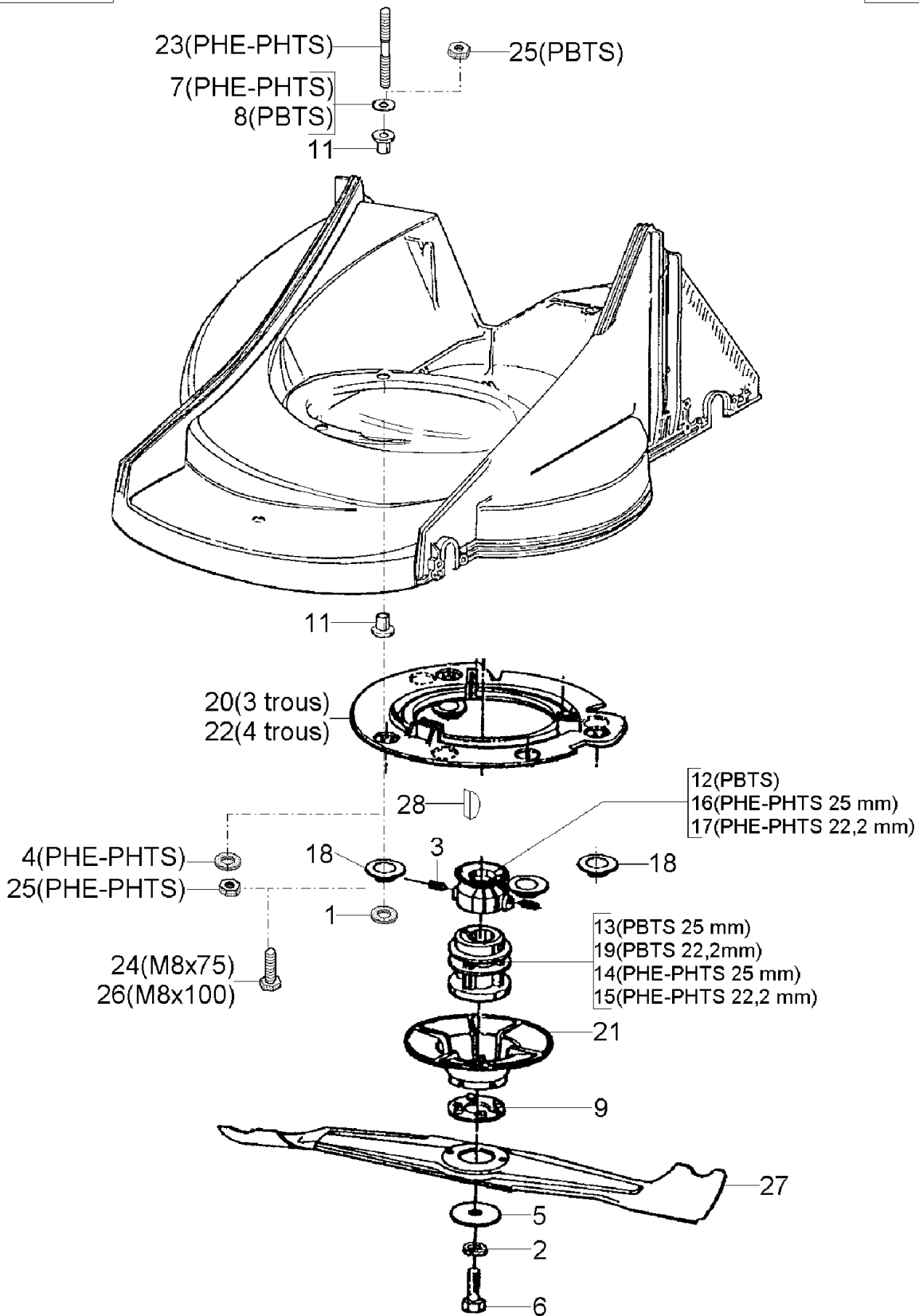
Numero	Codice	Nome	Quantità
1	42240	42240	1,000
2	71019	71019	1,000
3	24072	24072	1,000
4	24649	24649	1,000
5	24651	24651	1,000
6	24044	24044	1,000
7	24665	24665	1,000
8	24069	24069	1,000
9	37561	37561	1,000
10	71022	71022	1,000
11	41823	41823	1,000
12	24840	24840	1,000
13	20556	20556	1,000
14	22455	22455	1,000
15	71088	71088	1,000
16	20561	20561	1,000
17	21036	21036	1,000
18	20559	20559	1,000
19	41105	41105	1,000
20	71219	71219	1,000
21	24135	24135	1,000
23	71211	71211	1,000
24	41102	41102	1,000
25	71216	71216	1,000
26	24776	24776	1,000
27	41097	41097	1,000
28	41096	41096	1,000
29	71214	71214	1,000
31	41095	41095	1,000
32	41094	41094	1,000
33	41104	41104	1,000
34	21609	21609	1,000
35	71220	71220	1,000
41	41050	41050	1,000
42	41051	41051	1,000
43	41110	41110	1,000
44	20558	20558	1,000
45	20555	20555	1,000
47	41055	41055	1,000
48	24642	24642	1,000
49	71218	71218	1,000

Numero	Codice	Nome	Quantità
51	41822	41822	1,000
52	41059	41059	1,000
53	71244	71244	1,000
54	7094	7094	1,000
55	71213	71213	1,000
56	41060	41060	1,000
57	42095	42095	1,000
58	41056	41056	1,000
59	23087	23087	1,000
60	24269	24269	1,000
61	24686	24686	1,000
62	24275	24275	1,000
63	23278	23278	1,000
64	23279	23279	1,000

Numero	Codice	Nome	Quantità
1	2217	2217	1,000
2	71052	71052	1,000
3	5353	5353	1,000
4	7035	7035	1,000
5	7341	7341	1,000
6	7342	7342	1,000
7	22029	22029	1,000
8	22065	22065	1,000
10	23347	23347	1,000
11	23604	23604	1,000
12	23609	23609	1,000
13	23616	23616	1,000
14	23620	23620	1,000
15	23636	23636	1,000
16	23729	23729	1,000
17	23730	23730	1,000
18	24005	24005	1,000
19	24616	24616	1,000
20	24617	24617	1,000
21	24618	24618	1,000
22	24626	24626	1,000
23	41427	41427	1,000
24	71067	71067	1,000
25	71074	71074	1,000
26	71124	71124	1,000
27	PZ46E	PZ46E	1,000
28	7337	7337	1,000

PBTS - PHE
PHTS

PL01130



09/2006

Numero	Codice	Nome	Quantità
1	23925	23925	1,000
2	23926	23926	1,000
3	23927	23927	1,000
4	23904	23904	1,000
5	24991	24991	1,000
6	71164	71164	1,000
7	7335		1,000
8	7094	7094	1,000
9	23253	23253	1,000
10	21204	21204	1,000
11	24906	24906	1,000
12	23928	23928	1,000

